

西春住宅取壊し工事（第3工区）

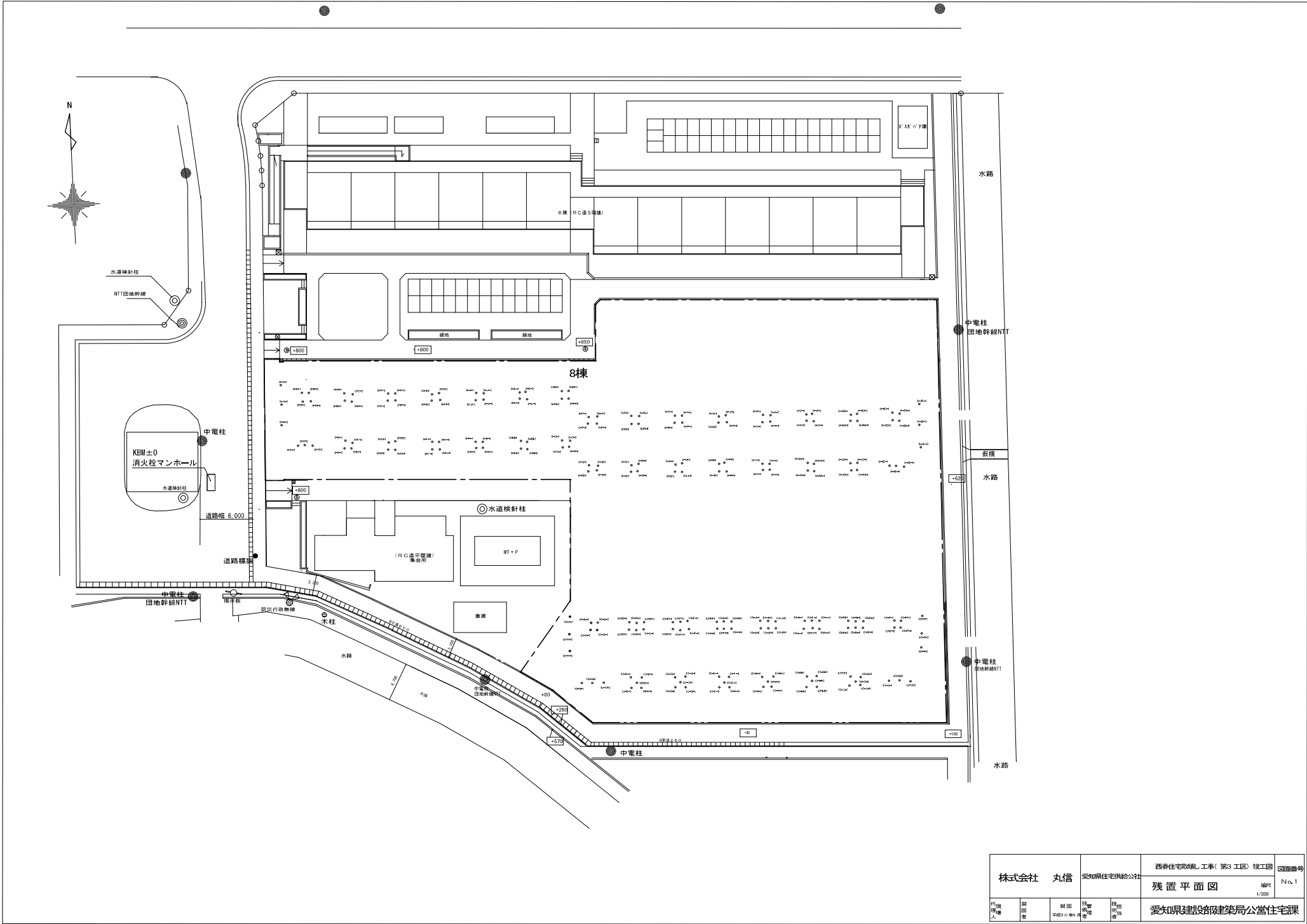
竣工図

図面目録

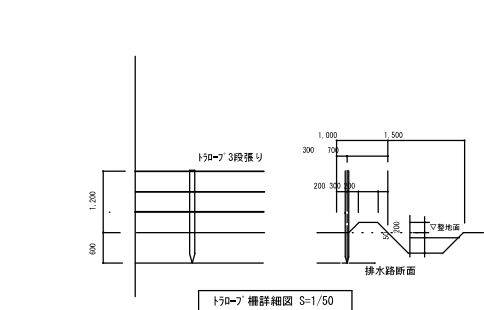
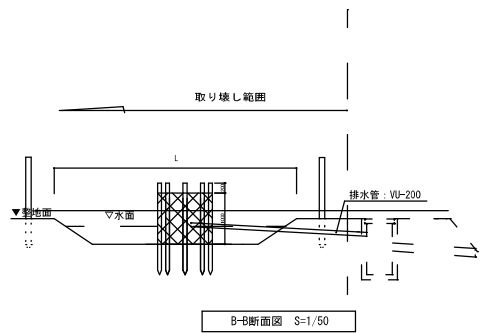
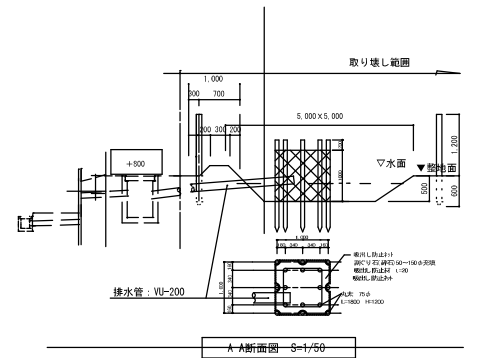
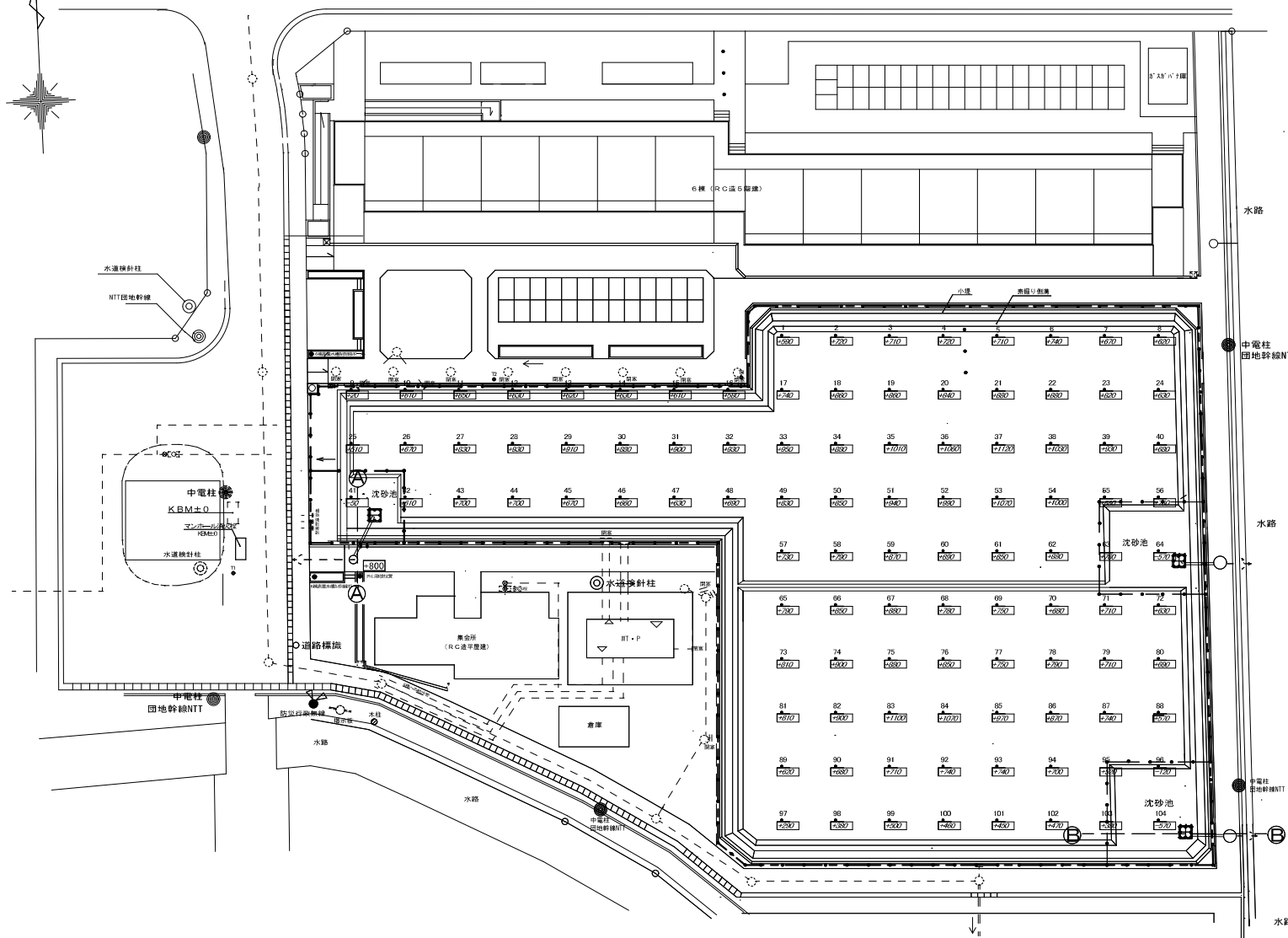
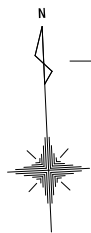
図面番号	図面名称	縮尺
0	表紙 図面目録	—
1	残地平面図	1/200
2	取壊し後整地図	1/200
3	残置杭平面図(8号棟)	1/200
4	残置杭平面図(10号棟)	1/200

愛知県建設部建築局公営住宅課

総務課長	主任監督員	専任監督員

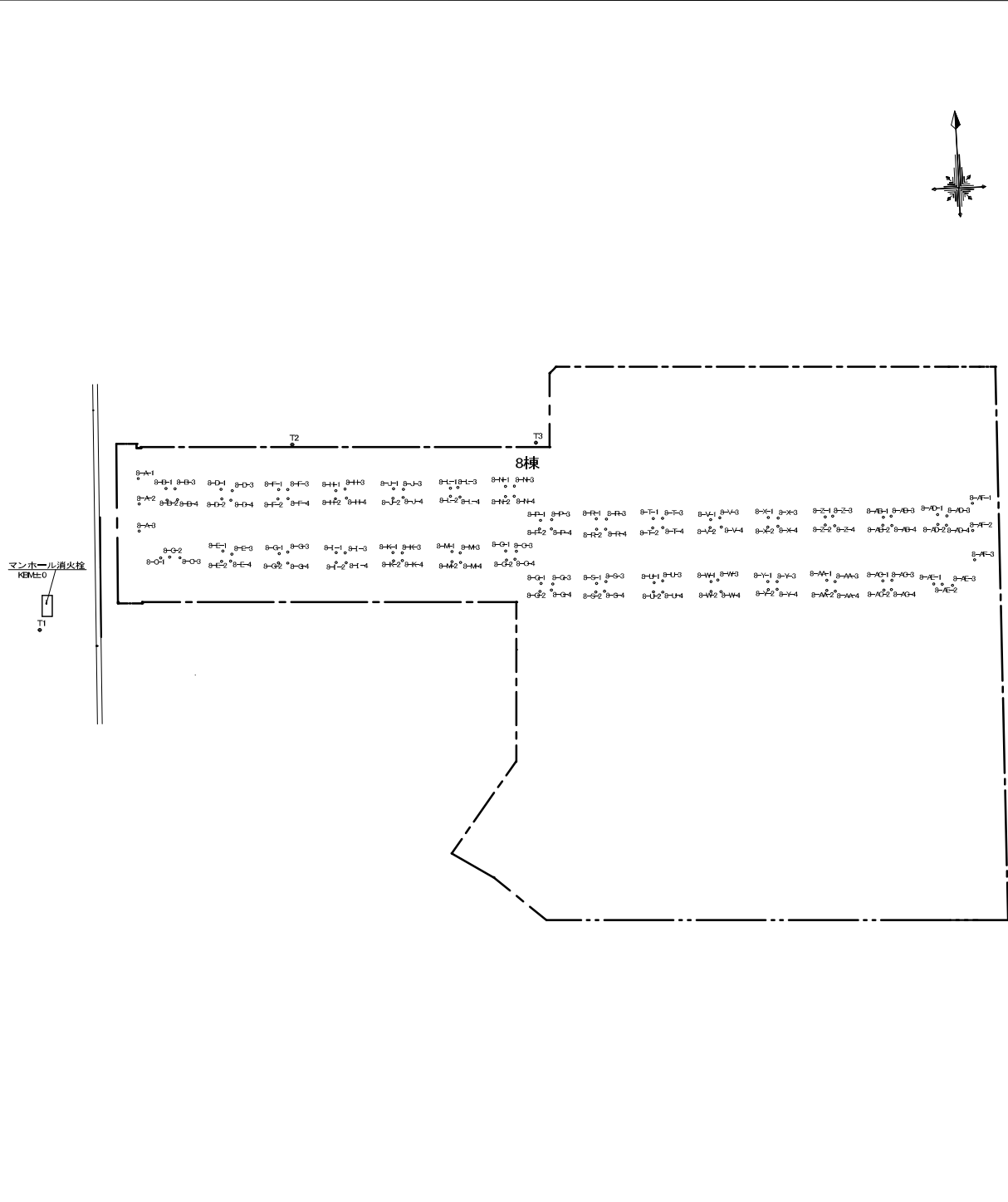


株式会社 丸信		愛知県住宅供給公社		西春住宅建設工事(第3工区)竣工図		図面番号 No.1
				残置平面図		縮尺 1/200
作成 日 2023.10.10	設計 者 丸信	監理 者 丸信	現場 監督 丸信	竣工 検査 丸信	愛知県建設部建築局公営住宅課	



現況レベル値 給排水埋設図 1/200

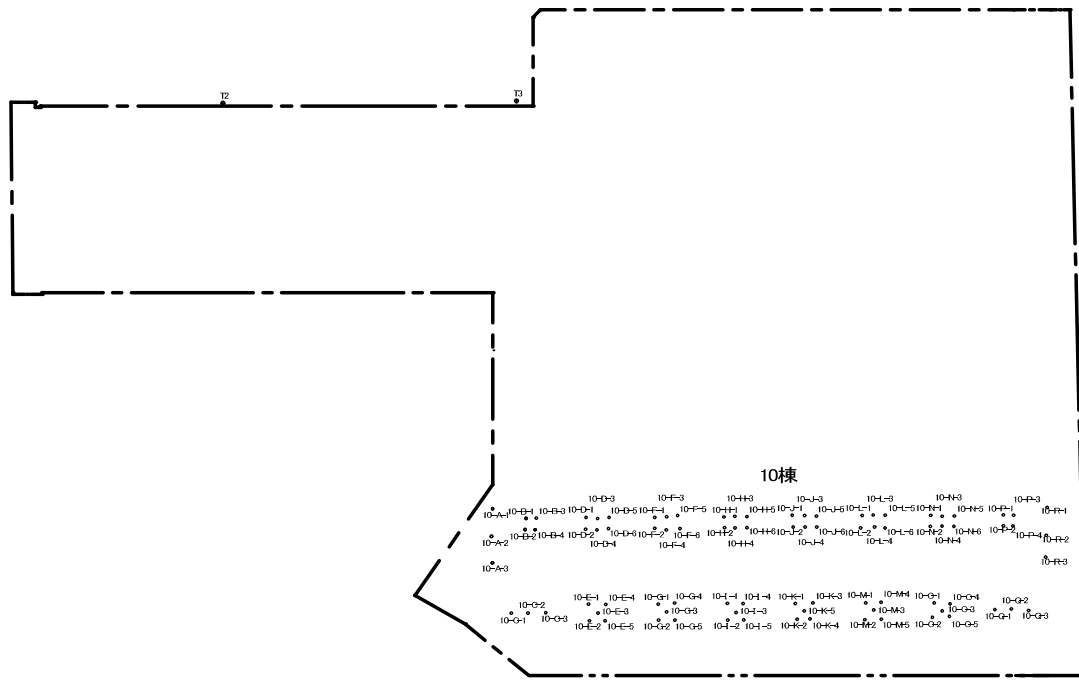
株式会社 丸信		愛知県県住宅供給公社		西寺住宅取壊し工事(第3工区)竣工図		図面番号
				取壊し後整地地図		No.2
				愛知県建設部建築局公営住宅課		規模 1,200
作成 日	製 図 者	製 図 日	検 査 者	放 所 者		



点名	X座標	Y座標	備考
T1	500,000	500,000	トラバース点
T2	516,163	524,601	トラバース点
T3	516,135	547,635	トラバース点

点名	X座標	Y座標	高さ (m)
8-A-1	513,752	510,027	-0.479
8-A-2	511,352	509,963	-0.146
8-A-3	509,808	509,861	-0.120
8-B-1	512,668	512,580	-0.418
8-B-2	511,581	512,625	-0.449
8-B-3	512,603	513,429	-0.196
8-B-4	511,570	513,622	-0.314
8-C-1	506,174	511,752	-0.179
8-C-2	506,211	512,586	-0.085
8-C-3	506,090	513,557	-0.083
8-D-1	512,329	517,776	-0.389
8-D-2	511,412	517,787	-0.237
8-D-3	512,146	518,818	-0.189
8-D-4	511,248	518,638	-0.204
8-E-1	506,501	517,623	-0.167
8-E-2	505,554	517,450	-0.210
8-E-3	506,176	516,461	-0.146
8-E-4	505,509	516,301	-0.156
8-F-1	512,015	523,181	-0.146
8-F-2	511,134	523,077	-0.192
8-F-3	511,975	524,047	-0.215
8-F-4	511,115	524,037	-0.234
8-G-1	505,985	522,928	-0.226
8-G-2	505,113	522,812	-0.196
8-G-3	506,093	523,736	-0.253
8-G-4	505,044	523,684	-0.174
8-H-1	511,618	528,572	-0.251
8-H-2	510,861	528,494	-0.242
8-H-3	511,734	529,439	-0.216
8-H-4	510,870	528,525	-0.295
8-I-1	505,783	528,289	-0.243
8-I-2	504,856	528,239	-0.332
8-I-3	505,733	528,186	-0.213
8-I-4	504,792	528,172	-0.267
8-J-1	511,515	534,013	-0.195
8-J-2	510,624	533,905	-0.253
8-J-3	511,414	534,935	-0.115
8-J-4	510,649	534,867	-0.235
8-K-1	505,500	533,626	-0.251
8-K-2	504,729	533,642	-0.183
8-K-3	505,441	534,497	-0.148
8-K-4	504,714	534,471	-0.225
8-L-1	511,288	539,361	-0.174
8-L-2	510,517	539,335	-0.187
8-L-3	511,320	540,072	-0.269
8-L-4	510,393	540,216	-0.219
8-M-1	505,315	539,194	-0.375
8-M-2	504,366	539,150	-0.246
8-M-3	505,143	539,958	-0.187
8-M-4	504,244	539,938	-0.226
8-N-1	511,184	544,559	-0.086
8-N-2	510,220	544,510	-0.227
8-N-3	511,161	545,392	-0.127
8-N-4	510,207	545,338	-0.234
8-O-1	505,100	544,249	-0.117
8-O-2	504,236	544,287	-0.102
8-O-3	505,023	545,256	-0.085
8-O-4	504,278	545,080	-0.087
8-P-1	507,809	547,689	-0.183
8-P-2	507,009	547,543	-0.214
8-P-3	507,812	548,734	-0.168
8-P-4	506,950	548,662	-0.201

点名	X座標	Y座標	高さ (m)
8-Q-1	501,857	547,409	-0.706
8-Q-2	501,127	547,282	-0.461
8-Q-3	501,758	548,522	-0.789
8-Q-4	501,194	548,355	-0.743
8-R-1	507,659	552,940	-0.087
8-R-2	506,677	552,915	-0.129
8-R-3	507,592	553,898	-0.197
8-R-4	506,640	553,771	-0.162
8-S-1	501,583	552,639	-0.120
8-S-2	500,792	552,537	-0.255
8-S-3	501,710	553,528	-0.475
8-S-4	500,811	553,347	-0.293
8-T-1	507,419	558,312	-0.137
8-T-2	506,532	558,210	-0.183
8-T-3	507,375	559,179	-0.208
8-T-4	506,514	559,169	-0.248
8-U-1	501,383	558,067	-0.248
8-U-2	500,511	557,952	-0.195
8-U-3	501,492	558,875	-0.246
8-U-4	500,442	558,824	-0.181
8-V-1	507,023	563,704	-0.281
8-V-2	506,285	563,617	-0.282
8-V-3	507,140	564,571	-0.266
8-V-4	506,276	564,658	-0.317
8-W-1	501,188	563,429	-0.750
8-W-2	500,261	563,379	-0.333
8-W-3	501,295	564,081	-0.156
8-W-4	500,198	564,313	-0.247
8-X-1	506,926	569,145	-0.200
8-X-2	506,036	569,038	-0.271
8-X-3	506,827	570,067	-0.072
8-X-4	506,062	570,000	-0.285
8-Y-1	500,911	568,766	-0.557
8-Y-2	500,140	568,783	-0.153
8-Y-3	500,853	569,637	-0.168
8-Y-4	500,127	569,611	-0.255
8-Z-1	506,707	574,494	-0.187
8-Z-2	505,936	574,468	-0.157
8-Z-3	506,740	575,204	-0.289
8-Z-4	505,813	575,350	-0.229
8-AA-1	500,733	574,334	-0.723
8-AA-2	499,784	574,291	-0.178
8-AA-3	500,562	575,098	-0.197
8-AA-4	499,663	575,080	-0.246
8-AB-1	506,373	579,971	-0.185
8-AB-2	505,635	579,884	-0.058
8-AB-3	506,443	580,717	-0.318
8-AB-4	505,564	580,729	-0.051
8-AC-1	500,392	579,609	-0.523
8-AC-2	499,521	579,658	-0.613
8-AC-3	500,409	580,460	-0.483
8-AC-4	499,527	580,362	-0.538
8-AD-1	506,357	585,094	-1.305
8-AD-2	505,437	585,066	-0.654
8-AD-3	506,191	585,964	-0.961
8-AD-4	505,308	585,880	-0.639
8-AE-1	499,854	584,382	-0.454
8-AE-2	499,785	585,186	-0.348
8-AE-3	499,627	586,154	-0.114
8-AF-1	507,247	588,432	-0.458
8-AF-2	504,688	588,318	-0.433
8-AF-3	501,917	588,351	-0.426



点名	X座標	Y座標	備考
T1	500,000	500,000	トラバー点
T2	516,183	524,691	トラバー点
T3	515,135	547,635	トラバー点

点名	X座標	Y座標	高さ (m)
10-A-1	483,342	544,083	-0.424
10-A-2	481,198	543,882	-0.235
10-A-3	479,128	543,841	-0.314
10-B-1	482,457	546,649	-0.254
10-B-2	481,585	546,527	-0.279
10-B-3	482,448	547,456	-0.270
10-B-4	481,536	547,318	-0.251
10-C-1	475,113	545,100	-0.335
10-C-2	475,042	546,408	-0.253
10-C-3	475,007	547,797	-0.203
10-D-1	482,280	551,344	-0.292
10-D-2	481,371	551,254	-0.306
10-D-3	482,147	552,238	-0.388
10-D-4	481,264	552,145	-0.269
10-D-5	482,186	553,150	-0.328
10-D-6	481,322	553,052	-0.287
10-E-1	475,493	551,171	-0.314
10-E-2	474,191	551,172	-0.250
10-E-3	474,769	551,876	-0.243
10-E-4	475,397	552,514	-0.250
10-E-5	474,127	552,407	-0.214
10-F-1	482,002	556,708	-0.316
10-F-2	481,153	556,666	-0.353
10-F-3	482,006	557,637	-0.313
10-F-4	480,977	557,557	-0.297
10-F-5	482,058	558,510	-0.356
10-F-6	481,033	558,634	-0.314
10-G-1	475,200	556,617	-0.238
10-G-2	473,959	556,585	-0.191
10-G-3	474,571	557,240	-0.165
10-G-4	475,228	557,998	-0.219
10-G-5	473,899	557,850	-0.190
10-H-1	481,751	562,120	-0.361
10-H-2	480,909	562,118	-0.397
10-H-3	481,753	562,976	-0.352
10-H-4	480,851	562,939	-0.372
10-H-5	481,683	563,917	-0.356
10-H-6	480,811	563,875	-0.500
10-I-1	474,985	562,028	-0.308
10-I-2	473,680	561,989	-0.205
10-I-3	474,237	562,656	-0.174
10-I-4	474,903	563,269	-0.210
10-I-5	473,625	563,240	-0.210

点名	X座標	Y座標	高さ (m)
10-J-1	481,804	567,461	-0.418
10-J-2	480,674	567,468	-0.298
10-J-3	481,523	568,436	-0.447
10-J-4	480,617	568,419	-0.303
10-J-5	481,434	569,344	-0.281
10-J-6	480,571	569,336	-0.422
10-K-1	474,689	567,329	-0.206
10-K-2	473,444	567,429	-0.218
10-K-3	474,664	568,722	-0.241
10-K-4	473,419	568,418	-0.170
10-K-5	474,071	568,096	-0.223
10-L-1	481,297	572,937	-0.304
10-L-2	480,329	572,760	-0.332
10-L-3	481,278	573,808	-0.280
10-L-4	480,349	573,859	-0.279
10-L-5	481,225	574,735	-0.266
10-L-6	480,221	574,671	-0.267
10-M-1	474,450	572,857	-0.227
10-M-2	473,135	572,711	-0.189
10-M-3	473,667	573,449	-0.241
10-M-4	474,424	574,056	-0.162
10-M-5	473,096	573,993	-0.166
10-N-1	481,020	578,291	-0.298
10-N-2	480,152	578,217	-0.319
10-N-3	480,897	579,162	-0.312
10-N-4	480,134	579,137	-0.293
10-N-5	480,864	580,145	-0.329
10-N-6	480,058	580,055	-0.317
10-O-1	474,163	578,203	-0.157
10-O-2	473,046	578,005	-0.157
10-O-3	473,506	578,797	-0.169
10-O-4	474,014	579,442	-0.149
10-O-5	473,951	579,339	-0.149
10-P-1	480,752	583,969	-0.425
10-P-2	479,999	583,918	-0.334
10-P-3	480,691	584,770	-0.315
10-P-4	479,847	584,671	-0.295
10-Q-1	473,377	582,910	-0.137
10-Q-2	473,361	584,204	-0.133
10-Q-3	473,175	585,554	-0.208
10-R-1	481,148	587,423	-0.211
10-R-2	478,982	587,247	-0.142
10-R-3	477,269	587,099	-0.184